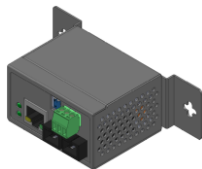


## CS6011SFP

Rugged Industrial Media Converter, Wide range power input

18-36VAC/12-60VDC/or DC Jack, -40°C to +75°C

10/100M TX to 100M SFP, smallest size on the planet. Designed to fit into outdoor CAM enclosure.



Panel mount



Din Rail mount



CS6011SFP



Designed to fit into space-limited CAM enclosure, can also be used as Din-Rail mounted or panel mounted unit.

### Models Available:

CS6011SC --- MM SC  
CS6011ST --- MM ST  
CS6011SC-30 ---SC SM fiber 30km  
CS6011SFP --- SFP  
CS6011WDM-15A (1310)  
CS6011WDM-15B (1550)

### Key Features:

True Mini, rugged design enclosure 59x36x49mm (LxWxD)  
Supports 18V-36VAC/12V-60VDC/ or DC Jack socket  
Supports Link Fault Pass through (LFP) function  
Supports switch model and converter mode.  
Surge protection diodes on power input.  
ESD protection diodes on RJ-45 port  
Provides Far End Fault function on FX port.  
Provides increased Noise Immunity  
Extended environmental specification -40°C to 75°C

### Introduction

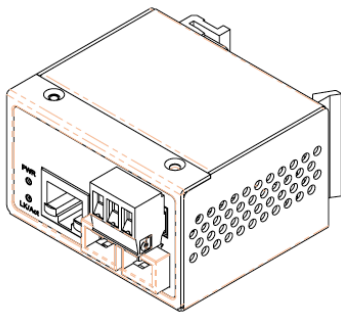
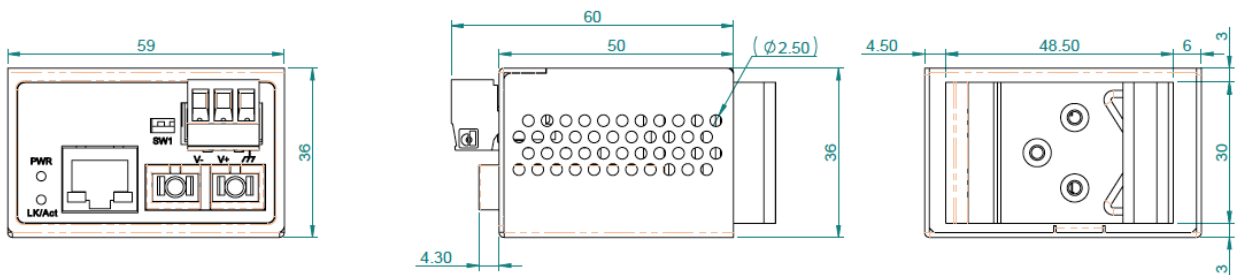
This true mini, rugged Industrial media converter is designed for where critical but space-limited outdoor CAM enclosure. It can be powered by wide range of VAC , VDC or external DC power adapter . With its multi-purpose design, it can also be used for Din-Rail or wall-mounted. It is an ideal unit for IP surveillance, traffic monitoring and Security application in critical environment. It can tolerate -40°C to 75°C in harsh environment to perform a reliable network.

# Specification

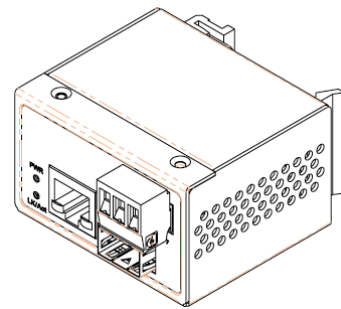
<b>IEEE Standard</b>	IEEE 802.3 10Base-T Ethernet IEEE 802.3u 100Base-TX Fast Ethernet IEEE 802.3u 100Base-FX Fast Ethernet IEEE802.3x Flow Control and Back Pressure
<b>Data Processing</b>	Store and Forward
<b>Flow Control:</b>	IEEE 802.3x Flow Control and Back Pressure
<b>Architecture</b>	Full wire speed conversion, Transparent conversion to 802.1Q VLAN tagged packets.
<b>MAC address Table Size</b>	1K
<b>Packet Buffer Size</b>	1Mbits
<b>Network Connector :</b>	RJ-45 10/100M BaseT(X) Auto negotiation, Auto MDI/MDI-X function, Full/Half duplex Fiber ports: 100BaseFX SC, ST, SC SM 30km, SFP 100BaseX
<b>LED indicators</b>	Power, Speed, Link/Act Speed (TP port) Link/Act(TP and Fiber port)
<b>DIP Switch</b>	Link Fault Pass Through (LFP) Converter Mode, Switch Mode
<b>Power protection</b>	Surge protection diodes on power input
<b>Connector protection</b>	ESD protection diodes on TX port
<b>Reserve polarity protection</b>	Present
<b>Overload current protection</b>	Present
<b>Power Input</b>	18V-36VAC, 9V-60VDC, DC Jack terminal cable supported (DC Barrel Connector )
<b>Conformance to UL Standards</b>	Use Isolated power supply to conform with UL 508 standard
<b>Power Consumption</b>	Full Load: 1.92Watts at 48VDC
<b>Removable Terminal Block</b>	3 pin contact terminal block for power input Wire range: 0.34mm <sup>2</sup> to 2.5mm <sup>2</sup> Solid wire (AWG):12-24/14-22 Stranded wire(AWG): 12-24/14-22 Torque:5lb-In/0.5Nm/0.56Nm Wire Strip length: 7-8mm
<b>Operating Temperature</b>	-40°C~75°C
<b>Operating Humidity</b>	5% to 95% (Non-condensing)
<b>Storage Temperature</b>	-40°C~85°C
<b>Housing Design</b>	IP40 Design, high graded Aluminum
<b>Case Dimension (W X D X H)</b>	59x36x49mm (LxWxD)

<b>Installation</b>	DIN Rail mounted, Panel Mounted,
<b>Safety</b>	EN60950-1
<b>EMI/EMC/EMS</b>	CE, FCC, ROHS, VCCI

### Housing Dimension:



CS6011SC



CS6011SFP